



Wabash 9717

Universal Leaded VR Sensor

Developed for rugged, harsh speed sensing requirements where durability and dependability are required.

The Wabash Universal Leaded VR Sensor (ULVRS) is built for use in the agricultural, heavy vehicle, off-highway, and construction markets. Its proven, field tested design conforms to SAE standards, while offering customers flexibility in variations and features. The ULVRS is ideal for applications such as:

- Engine speed
- Transmission speed

Wabash has designed the 9717 device to be flexible. This allows customers to utilize the same basic package, but also to have inputs on lead length, connector options, and electrical characteristics.

Wabash's universal sensors offer customers a unique pricing strategy, in that customers can utilize Wabash's economies of scale, with minimal or low tooling investment.

Count on Wabash Technologies for sensing solutions that add performance and value to products. We serve customers with advanced design and engineering capabilities, flawless quality performance, flexible manufacturing and on-time delivery.



To learn more about how our products can help you, contact us at 260-355-4100 or visit www.wabashtech.com



Committed to sensor advancement.





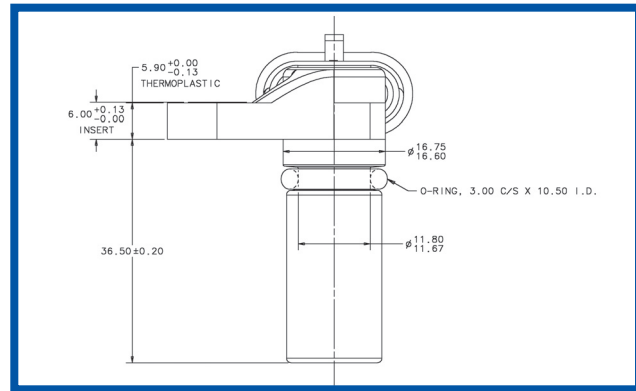
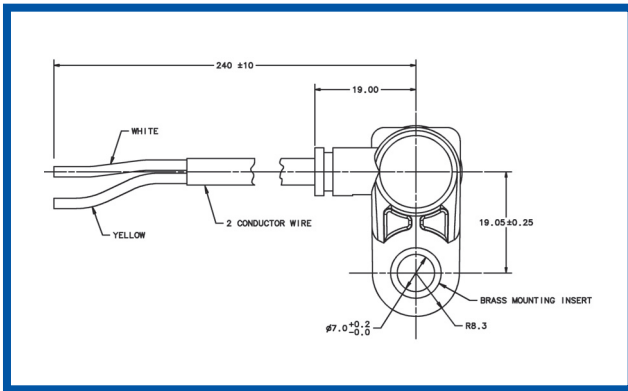
Wabash 9717

Universal Leaded VR Sensor

Technical Specifications

PHYSICAL

- Variable lead length
- Various connector options available
- Electrical characteristics can be changed
- Robust product (stainless steel housing)
- 5.0mm polyurethane cable with 20 gage conductors



Operating Temperature

Specifications
-40°C to +150°C

Electrical

Specifications	
Resistance	600 Ohms +/- 10%
Inductance	320mH +/- 20%

Environmental Testing

Specifications	
Thermal Shock	300 cycles -40 - +150C
Salt Spray	504 hours per ASTM B117
Humidity	240 hours @ 97% humidity, 85C
Other Testing includes	Chemical Resistance, High Pressure Spray, Submersion, Vibration, and Mechanical Shock Testing



Wabash Technologies, Inc.
 1375 Swan Street, P.O. Box 829, Huntington, IN 46750-0829 USA Phone: 260-355-4100 Fax: 260-355-4265

Wabash Technologies, Ltd.
 5 Faraday Park, Dorcan, Swindon, Wiltshire, SN3 5JF, England UK Phone: +44 1793 600500 Fax: +44 1793 600600

Committed to sensor advancement.