



Wabash 9631

Dual Output Position Sensor

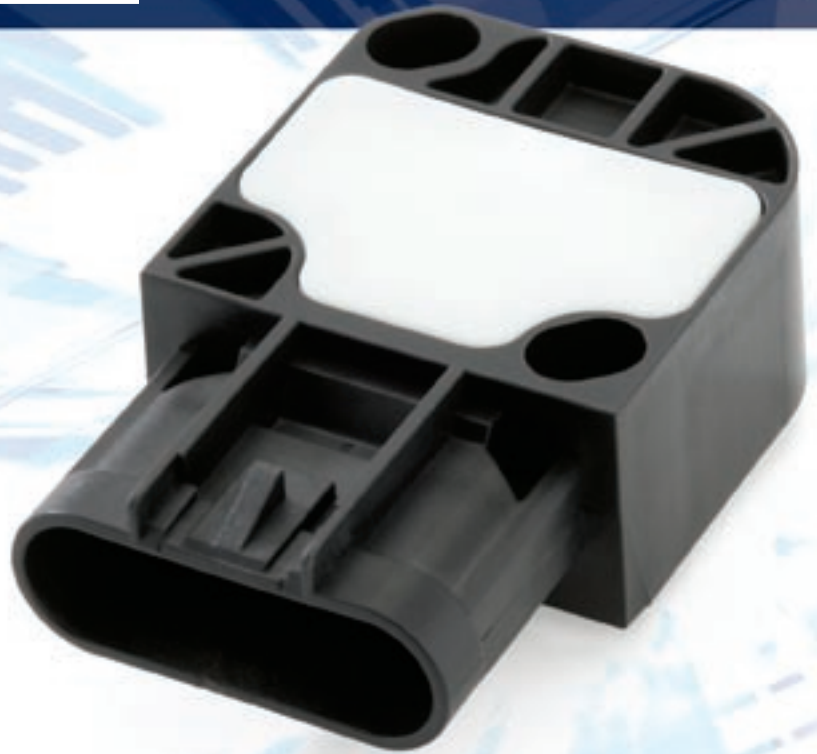
Bolt-on, dual output sensor can be programmed to meet customer requirements within its 80° travel range.

The non-contacting Wabash 9631 Dual Output Position Sensor (DOPS) is designed for use in heavy and off-road vehicles. The sensor is RoHS compliant and operates with regulated 5V supplies. It features reverse voltage protection and is available in clockwise and counterclockwise rotation versions. Fully sealed PCB construction meets IP67 standards, making it ideal for sensing applications in:

- Agricultural equipment
- Construction equipment
- Heavy trucks
- Off-road vehicles
- Recreational vehicles
- Golf carts

The 9631 shares the rugged durability of all Wabash sensors, and is able to withstand temperature extremes and harsh environments while providing fast, dependable system response.

Count on Wabash Technologies for sensing solutions that add performance and value to products. We serve customers with advanced design and engineering, high volume automated manufacturing and on-time delivery.



To learn more about how our products can help you, contact us at 260-355-4100 or visit www.wabashtech.com



Committed to sensor advancement.





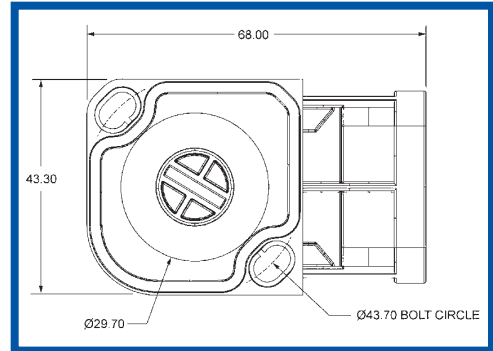
Wabash 9631

Dual Output Position Sensor

Technical Specifications

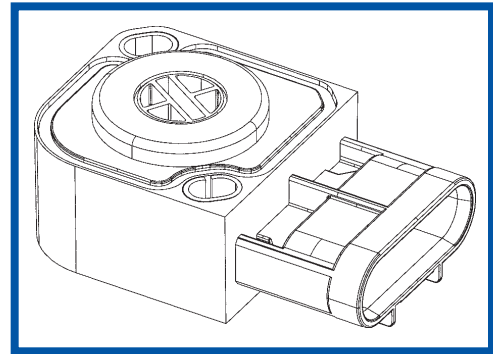
PHYSICAL

- Fully “sealed” robust package suitable for automotive, agriculture, marine and industrial environments
- Small angle, dual output
- Clockwise or counterclockwise rotation available
- Programmable to customer requirements within 80° mechanical travel
- Multiple Hall effect options
- Return spring available



ELECTRICAL

	Specifications
Supply Voltage (V _s)	5.0V ±10%
Supply Current	10mA Max
Reverse Voltage Protection	-14.0V Max. < 1 minute
Output	Programmable for slope and clamps
Independent Linearity	45° travel ± 1.5%V _s (All Conditions) 60° travel ± 2.0% V _s (All Conditions)
Total Error	45° travel ± 3.0%V _s (All Conditions) 60° travel ± 4.0% V _s (All Conditions)
Functional Electrical Range	15° - 65° (Customer Specified)
Operational Electrical Range	80° - Extended Specifications Apply
Output Modes	Analog, PWM and mix option available



MECHANICAL

	Specifications
Mechanical Rotation Range	83° End-Stop to End-Stop
Spring Torque	Minimum return 15 mNm
Fixing Torque	3.5 Nm Maximum
Connector Type	Power & Signal (Metri Pack) 15397577

DURABILITY

	Specifications
Rotational Life	>2,000,000 Full Cycles
Dither	>10,000,000 Cycles (2° Rotation)

ENVIRONMENTAL

	Specifications
Operating Temperature	-40°C to +140°C
Storage Temperature	-40°C to +150°C
Environmental Tests	Automotive



Committed to sensor advancement.

Wabash Technologies, Inc.

1375 Swan Street, P.O. Box 829, Huntington, IN 46750-0829 USA Phone: 260-355-4100 Fax: 260-355-4265

Wabash Technologies, Ltd.

5 Faraday Park, Dorcan, Swindon, Wiltshire, SN3 5JF, England UK Phone: +44 1793 600500 Fax: +44 1793 600600