



Wabash 852 NCRPS

Non-Contacting Rotary Position Sensor

Low cost, next generation technology sensor surpasses traditional position sensors.

The Wabash 852 Non-Contacting Rotary Position Sensor (NCRPS) is a versatile device that can be programmed to customer requirements within its 110° travel range. It is available with clockwise or counter clockwise rotation and reversible voltage protection. The sealed PCB construction meets IP67 standards, making it ideal for position sensing applications in:

- Agricultural equipment
- Construction equipment
- Heavy trucks
- Off-road vehicles
- Recreational vehicles
- Golf cars

The 852 NCRPS shares the rugged durability of all Wabash Technologies sensors and is able to withstand temperature extremes and harsh environments while providing fast, dependable system response.

Wabash generic sensors offer customers low cost options with minimal or little tooling investment.

Count on Wabash Technologies for sensing solutions that add performance and value to products. We serve customers with advanced design and engineering capabilities, flawless quality performance, flexible manufacturing and on-time delivery.



To learn more about how our products can help you, contact us at 260-355-4100 or visit www.wabashtech.com

Wabash
TECHNOLOGIES

Committed to sensor advancement.



Wabash 852

Non-Contacting Rotary Position Sensor

Technical Specifications

PHYSICAL

- Fully “sealed” robust package suitable for automotive, agricultural, marine and industrial environments
- Clockwise or counterclockwise rotation available
- Programmable to customer requirements within 110° mechanical travel
- Multiple Hall effect options

ELECTRICAL

	Specifications
Supply Voltage (V _s)	5.0V ±10%
Supply Current	10mA Max
Reverse Voltage Protection	-16.0V Max. < 1 minute
Output (V _o) Typical	10% to 90%V _s
Independent Linearity	± 1.5%V _s (All Conditions)
Total Error	± 3.0%V _s (All Conditions)
Functional Electrical Range	27.5° - 90° (Customer Specified)
Operational Electrical Range	110° - Extended Specifications Apply
Output Modes	Analog, PWM option available

MECHANICAL

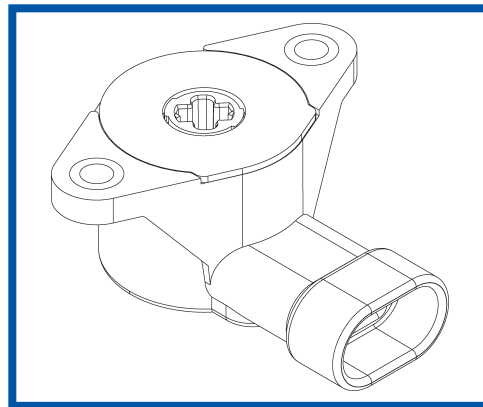
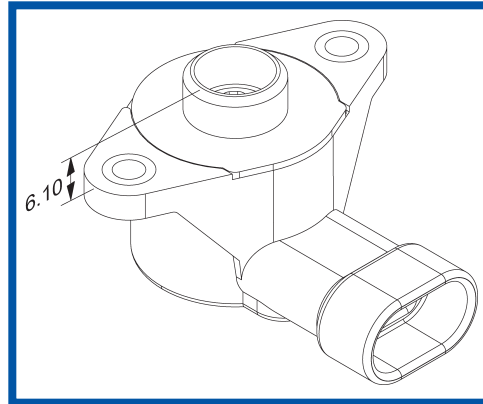
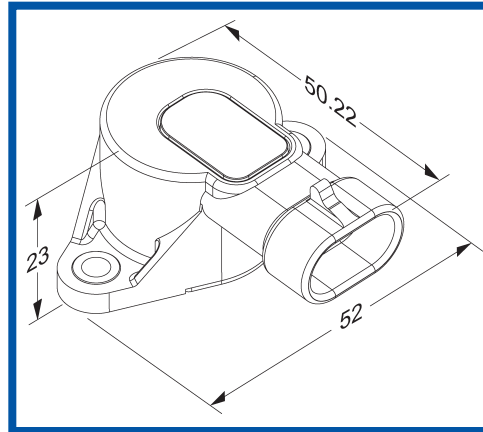
	Specifications
Mechanical Rotation Range	110° End-Stop to End-Stop
Spring Torque	14 mNm - 130 mNm
Fixing Torque	2-3 Nm
Connector Type	Power & Signal (Metri Pack) 12162266 Type 101

DURABILITY

	Specifications
Rotational Life	>2,000,000 Full Cycles
Dither	>5,000,000 Cycles (10° Rotation)

ENVIRONMENTAL

	Specifications
Operating Temperature	-40°C to +150°C
Environmental Tests	Automotive Underhood Environment



Committed to sensor advancement.

Wabash Technologies, Inc.

1375 Swan Street, P.O. Box 829, Huntington, IN 46750-0829 USA Phone: 260-355-4100 Fax: 260-355-4265

Wabash Technologies, Ltd.

5 Faraday Park, Dorcan, Swindon, Wiltshire, SN3 5JF, England UK Phone: +44 1793 600500 Fax: +44 1793 600600